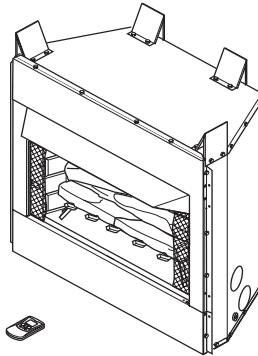




## STAINLESS OUTDOOR VENT FREE FIREPLACE SYSTEM OWNER'S OPERATION AND INSTALLATION MANUAL



### REMOTE CONTROL READY

**NATURAL GAS MODELS (V)O36NR SERIES AND (V)O42NR SERIES  
PROPANE/LP GAS MODELS (V)O36PR SERIES AND (V)O42PR SERIES**

**WARNING:** If the information in this manual is not followed exactly, a fire or explosion may result causing property damage, personal injury or loss of life.

- Do not store or use gasoline or other flammable vapors and liquids in the vicinity of this or any other appliance.
- **WHAT TO DO IF YOU SMELL GAS**
  - Do not try to light any appliance.
  - Do not touch any electrical switch; do not use any phone in your building.
  - Immediately call your gas supplier from a neighbor's phone. Follow the gas supplier's instructions.
  - If you cannot reach your gas supplier, call the fire department.
- Installation and service must be performed by a qualified installer, service agency or the gas supplier.

**WARNING:** For Outdoor Use Only.

**INSTALLER:** Leave this manual with the appliance.  
**CONSUMER:** Retain this manual for future reference.

## TABLE OF CONTENTS

Safety Information .....	2	Wiring Diagram .....	15
Local Codes .....	3	Troubleshooting .....	15
Locating Fireplace .....	4	Replacement Parts .....	19
Product Specifications .....	4	Service Hints .....	19
Installation .....	5	Technical Service .....	19
Operating Appliance .....	12	Accessories .....	19
Inspecting Burners .....	13	Illustrated Parts Breakdown and Parts List .....	20
Cleaning and Maintenance .....	14	Warranty Information .....	Back Cover
Specifications .....	14		

## SAFETY INFORMATION

**⚠ WARNING: Improper installation, adjustment, alteration, service or maintenance can cause injury or property damage. Read the installation, operating and maintenance instructions thoroughly before installing or servicing this equipment.**

**⚠ WARNING: This product contains and/or generates chemicals known to the state of California to cause cancer or birth defects or other reproductive harm.**

**IMPORTANT: Read this owner's manual carefully and completely before trying to assemble, operate or service this fireplace. Improper use of this fireplace can cause serious injury or death from burns, fire, explosion, electrical shock and carbon monoxide poisoning.**

**⚠ DANGER: Carbon monoxide poisoning may lead to death!**

**Carbon Monoxide Poisoning:** Early signs of carbon monoxide poisoning resemble the flu, with headaches, dizziness or nausea. If you have these signs, the heater may not be working properly. Get fresh air at once! Have heater serviced. Some people are more affected by carbon monoxide than others. These include pregnant women, people with heart or lung disease or anemia, those under the influence of alcohol and those at high altitudes.

**Natural and Propane/LP Gas:** Natural and propane/LP gases are odorless. An odor-making agent is added to the gas. The odor helps you detect a gas leak. However, the odor added to the gas can fade. Gas may be present even though no odor exists.

Make certain you read and understand all warnings. Keep this manual for reference. It is your guide to safe and proper operation of this fireplace.

**⚠ WARNING: Any change to this heater or its controls can be dangerous.**

**Due to high temperatures, the appliance should be located out of traffic and away from furniture and draperies.**

**Do not place clothing or other flammable material on or near the appliance. Never place any objects on the fireplace.**

**Fireplace front and screen become very hot when running fireplace. Keep children and adults away from hot surfaces to avoid burns or clothing ignition. Fireplace will remain hot for a time after shutdown. Allow surfaces to cool before touching.**

## SAFETY INFORMATION

*Continued*

**Carefully supervise young children when they are in the area of the fireplace. When using the hand-held remote accessory, keep selector switch in the OFF position to prevent children from turning on burners with remote.**

**You must operate this fireplace with the fireplace screen in place. Make sure fireplace screen is in place before running heater.**

**Keep the appliance area clear and free from combustible materials, gasoline and other flammable vapors and liquids.**

1. This fireplace is only for use with the type of gas indicated on the rating plate. This fireplace is not convertible for use with other gases.
2. Do not place propane/LP supply tank(s) inside any structure. Locate propane/LP supply tank(s) outdoors (propane/LP units only).
3. If you smell gas
  - shut off gas supply
  - do not try to light any appliance
  - do not touch any electrical switch; do not use any phone in your building
  - immediately call your gas supplier from a neighbor's phone. Follow the gas supplier's instructions
  - if you cannot reach your gas supplier, call the fire department
4. This fireplace shall be used only outdoors in a well ventilated space and shall not be used in a building, garage or any other enclosed area.
5. Do not use this fireplace as a wood burning fireplace. Use only the logs provided with the fireplace. Do not burn solid fuels in this fireplace.
6. Do not add extra logs or ornaments such as pine cones, vermiculite or rock wool. Using these added items can cause soot-ing. Do not add lava rock around base. Rock and debris could fall into the control area of fireplace.
7. To prevent the creation of soot, follow the instructions in *Cleaning and Maintenance*, page 14.
8. Before using furniture polish, wax, carpet cleaner or similar products, turn fireplace off. If heated, the vapors from these products may create a white powder residue within burner box or on adjacent walls or furniture.
9. Do not run fireplace
  - where flammable liquids or vapors are used or stored
  - under dusty conditions
10. Do not use this fireplace to cook food or burn paper or other objects.
11. Do not use this appliance if any part has been under water. Immediately call a qualified service technician to inspect the appliance and to replace any part of the control system and any gas control which has been under water.
12. Do not operate fireplace if any log is broken. Do not operate fireplace if a log is chipped (dime-sized or larger).
13. Turn fireplace off and let cool before servicing. Only a qualified service person should service and repair fireplace.
14. Operating fireplace above elevations of 4,500 feet could cause pilot outage.
15. Provide adequate clearance around air openings.

### LOCAL CODES

Install and use fireplace with care. Follow all local codes. In the absence of local codes, use the latest edition of *The National Fuel Gas Code ANSI Z223.1/NFPA 54\**.

\*Available from:

American National Standards Institute, Inc.  
1430 Broadway  
New York, NY 10018  
National Fire Protection Association, Inc.  
Batterymarch Park  
Quincy, MA 02269

**State of Massachusetts:** The installation must be made by a licensed plumber or gas fitter in the Commonwealth of Massachusetts.

Sellers of unvented propane or natural gas-fired supplemental room heaters shall provide to each purchaser a copy of 527 CMR 30 upon sale of the unit.

Vent-free gas products are prohibited for bedroom and bathroom installation in the Commonwealth of Massachusetts.

## PRODUCT FEATURES

### REFRACTORY BRICK LINER

Your fireplace features a concrete refractory brick liner. As with all concrete liners, this liner may develop slight cracks when exposed to heat. These cracks will not affect the performance of the fireplace.

## LOCATING FIREPLACE

### PLANNING

Plan where you will install the fireplace. This will save time and money later when you install the fireplace. Before installation, consider the following:

1. Where the fireplace will be located. Allow for wall and ceiling clearances (see *Installation Clearances*, page 5).
2. Everything needed to complete installation.
3. These models are for outdoor use only.
4. Proper air for combustion and ventilation.

## PRODUCT SPECIFICATIONS

### 36" AND 42" MODELS

Note: If only one dimension is shown, the dimension is the same for both 36" and 42" models.

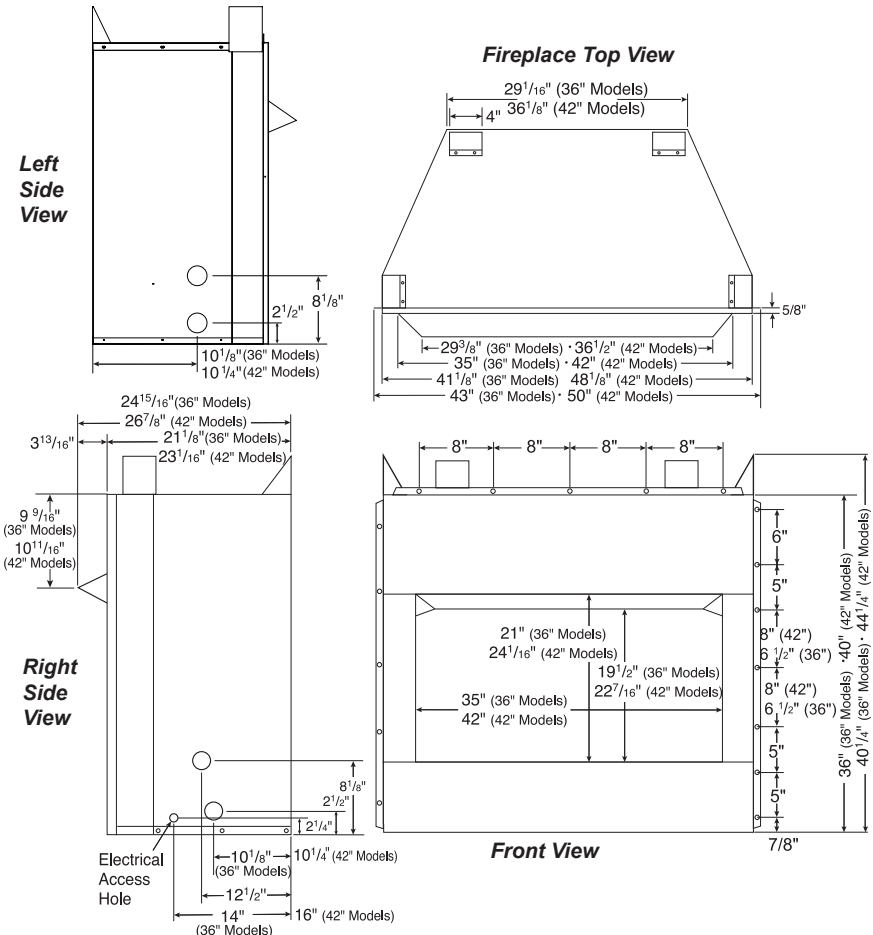


Figure 1 - Fireplace Dimensions (36" and 42" Models)

## INSTALLATION

**IMPORTANT:** Make sure the fireplace is level. If fireplace is not level, log set will not work properly.

**Note:** Your fireplace is designed to be used in zero clearance installations. Wall or framing material can be placed against any exterior surface on the rear, sides, top or bottom of your fireplace, except where standoff spacers are integrally attached. If standoff spacers are attached to your fireplace, these spacers can be placed directly against wall or framing materials.

Use dimensions shown for rough openings to create the easiest installation (see *Built-In Fireplace Installation*, page 6).

### INSTALLATION CLEARANCES

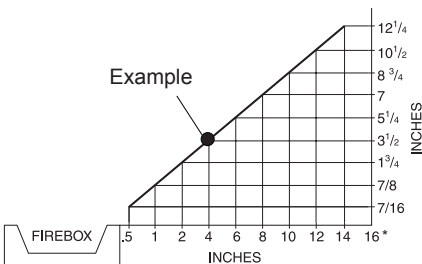
**WARNING:** Maintain the minimum clearances. If you can, provide greater clearances from floor, ceiling and adjoining wall.

Carefully follow these instructions. This will ensure safe installation. Fireplace hood must be used if combustible mantel material is installed.

#### Minimum Wall and Ceiling Clearances (see Figure 2)

A. Clearances from the side of the fireplace cabinet to any combustible material and wall should follow diagram in Figure 2.

**Example:** The face of a mantel, bookshelf, etc. is made of combustible material and protrudes 3 1/2" from the wall. This combustible material must be 4" from the side of the fireplace cabinet (see Figure 2).



\*Minimum 16" from Side Wall

**Figure 2 - Minimum Clearance for Combustible to Wall**

- B. Clearances from the top of the fireplace opening to the ceiling should not be less than 42".
- C. When the fireplace is installed on carpeting or other combustible material, other than wood flooring, the fireplace should be installed on a metal or wood panel extending the full width and depth of the enclosure.
- D. Clearances from the bottom of fireplace to the floor is 0".

**CAUTION:** Do not install the fireplace directly on carpet or vinyl.

**WARNING:** Fireplace hood must be used if a combustible mantel material is installed.

#### Mantel Clearances for Built-In Installation

If placing custom mantel above built-in fireplace, you must meet the minimum allowable clearance between mantel shelf and top of fireplace opening shown in Figure 3, page 6. These are the minimum allowable mantel clearances for a safe installation. Use larger clearances wherever possible to minimize the heating of objects and materials placed on the mantel.

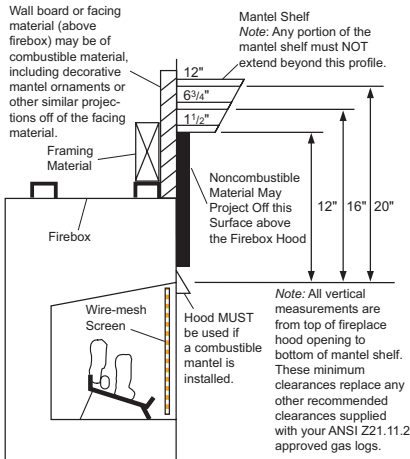
**NOTICE:** Surface temperatures of adjacent walls and mantels become hot during operation. Walls and mantels above the fireplace may become hot to the touch. If installed properly, these temperatures meet the requirement of the national product standard. Follow all minimum clearances shown in this manual.

**NOTICE:** If your installation does not meet the minimum clearances shown, you must do one of the following:

- raise the mantel to an acceptable height
- remove the mantel

# INSTALLATION

*Continued*



**Figure 6 - Minimum Mantel Clearances for Built-In Installation**

## BUILT-IN FIREPLACE INSTALLATION

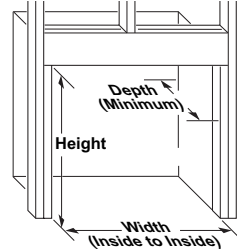
1. Frame in rough opening. The fireplace framing should be constructed of 2 x 4 lumber or heavier. Use dimensions in Table 1 and rough opening layout in Figure 4a. Adjust framing so that fireplace is flush with finished wall surface. If installing in a corner, use dimensions in Figures 4b and 4c for rough opening.
2. Install gas piping to fireplace location (see *Connecting to Gas Supply*, page 8.)
3. Carefully set fireplace in front of rough opening with back of fireplace inside wall opening.
4. Carefully insert fireplace into rough opening.
5. Attach fireplace to wall studs using nails or wood screws through holes in nailing flange (see Figure 5).

**IMPORTANT:** When finishing your fireplace, combustible materials such as wall board, gypsum board, sheet rock, drywall, plywood, etc. may be butted up next to the sides and top of the fireplace. Combustible materials should never overlap the fireplace front facing.

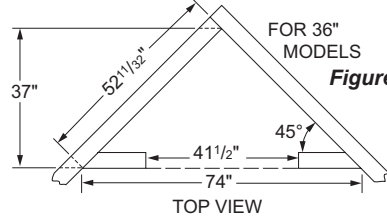
**WARNING:** Use only non-combustible mortar or adhesives when overlapping the front facing with noncombustible facing material.

**Table 1**

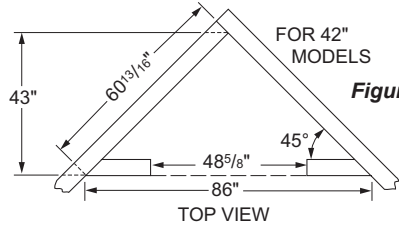
Rough Opening Dimensions for Built-in Installation			
Model	Front Width (Inside to Inside)	Height	Depth (Min.)
36"	41 1/2"	40 1/2"	20 3/4"
42"	48 5/8"	44 1/2"	22 5/8"



**Figure 4a**

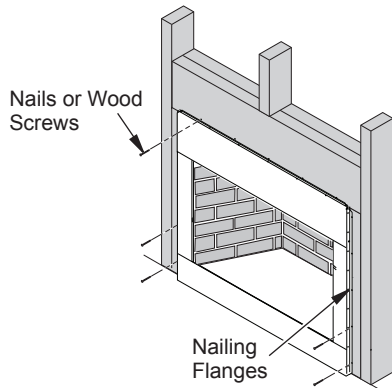


**Figure 4b**



**Figure 4c**

**Figure 4 - Rough Opening for Installing in Wall**



**Figure 5 - Attaching Firebox to Wall Studs**

# INSTALLATION

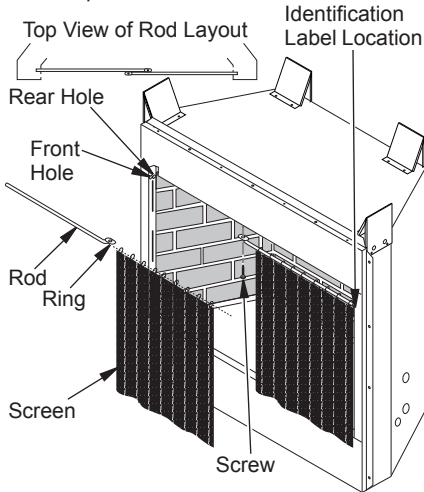
*Continued*

## INSTALLING DRAIN PAN DP36/DP42

The fireplace enclosure must allow for adequate drainage and fresh air ventilation. It is recommended that a sealed, corrosion resistant catch pan with provision for drainage be installed under fireplace within fireplace enclosure (see *Accessories*, page 19).

## INSTALLING FIREPLACE SCREEN

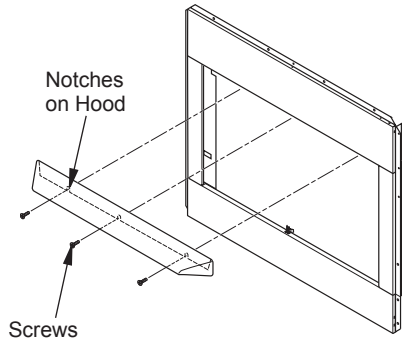
1. Insert each rod through all rings located at top of screen.
2. Insert first rod into rear hole in left side of fireplace. Fasten rod to rear hole near center of fireplace using #10 x 3/8" Phillips screw provided (see Figure 6).
3. Insert other rod into front hole on right side of fireplace and fasten using remaining Phillips screw.



**Figure 6 - Installing Fireplace Screen**

## INSTALLING FIREPLACE HOOD HS36/HS42

1. Remove protective film from stainless steel hood.
2. Align three notches located on back side of hood with front face of fireplace (see Figure 7). Notches should be at least 3 1/2" up from edge of fireplace opening.
3. Hold fireplace hood in place. Using a #10 drill bit, drill through three notches.
4. Insert three screws through notches in hood into holes in fireplace.



**Figure 7 - Installing Hood**

## INSTALLING BI-FOLD GLASS DOORS

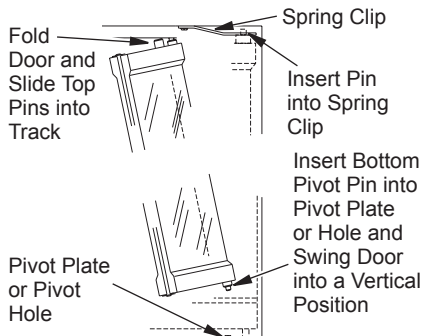
**IMPORTANT:** Use only glass doors certified for use with this fireplace (see *Accessories*, page 19).

### Door Installation

Pivot and spring clips have been installed and pretested at the factory, but some readjustments may be needed due to movement during shipping or handling.

Install the doors using the following steps. If you find the doors do not close properly or do not appear level or straight, proceed with section on door adjustment.

1. With bi-fold door completely folded, insert the bottom pivot pin into the pivot plate or pivot hole located near the bottom corner of the front face opening and swing door to the vertical position making sure top pins slide into door track. Door is installed when top door pin snaps into spring clip (see Figure 8).
2. Repeat step 1 for remaining door.



**Figure 8 - Installing Bi-Fold Door**

# INSTALLATION

*Continued*

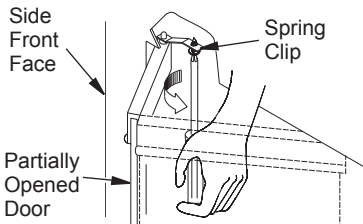
**⚠ WARNING: Fireplace must be operated only with doors fully opened.**

## Door Adjustment

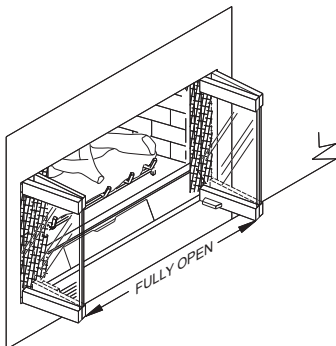
Remove doors and slightly loosen lower pivot plate (if equipped) and upper spring clips. Replace doors and fully close them. Use 1/8" shims (any material) to level doors. Once the proper setting is achieved, carefully open doors enough so that you can access pivot and spring clips with a phillips screwdriver. Tighten screws (see Figure 9).

Please read the following care and operation guidelines before operating your appliance or fireplace.

- Glass doors should be operated in the fully open position only (see Figure 10).
- If doors are not fully open, the thermo disk will automatically turn off burner. After unit cools, burner will automatically turn on.
- When operating doors, do not slam shut or abuse them.
- Always keep area below bottom edge of doors clear from obstacles or debris.
- Do not operate this appliance if glass doors are broken or damaged.



**Figure 9 - Door Adjustment**



**Figure 10 - Bi-Fold Doors Fully Opened**

- Do not use abrasive liquids or cleaners for cleaning of glass and door trims. Any household glass cleaner should suffice. Do not clean doors when hot, allow the appliance to cool before cleaning.

## CONNECTING TO GAS SUPPLY

**⚠ WARNING: A qualified service person must connect heater to gas supply. Follow all local codes.**

**⚠ WARNING: This appliance requires a 3/8" NPT (National Pipe Thread) inlet connection to the control valve.**

**⚠ CAUTION: Never connect propane/LP unit directly to the propane/LP supply. This unit requires an external regulator (not supplied). Install the external regulator between the unit and the propane/LP supply.**

**⚠ WARNING: Never connect natural gas fireplace to private (non-utility) gas wells. This gas is commonly known as wellhead gas.**

## Installation Items Needed

Before installing heater, make sure you have the items listed below.

- approved flexible gas hose and fittings (supplied with appliance, if allowed by local codes)
- external regulator (propane/LP models only)
- piping (check local codes)
- sealant (resistant to propane/LP gas)
- equipment shutoff valve\*
- test gauge connection\*
- sediment trap
- tee joint
- pipe wrench

\* A CSA design-certified equipment shutoff valve with 1/8" NPT tap is an acceptable alternative to test gauge connection. Purchase the optional CSA design-certified equipment shutoff valve from your dealer. See *Accessories*, page 19.

# INSTALLATION

## Continued

For propane/LP units, the installer must supply an external regulator. The external regulator will reduce incoming gas pressure. You must reduce incoming gas pressure to between 11" and 14" of water. If you do not reduce incoming gas pressure, control valve damage could occur. Install external regulator with the vent pointing down as shown in Figure 11. Pointing the vent down protects it from freezing rain or sleet.

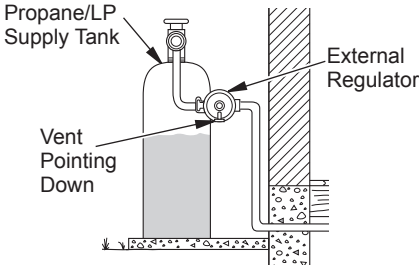


Figure 11 - External Regulator with Vent Pointing Down

## REMOTE PROPANE/LP GAS SUPPLIES AND ENCLOSURES

If appliance is to be permanently connected to a gas piping system from a remote supply tank, installation must be in accordance with local codes or, in absence of local codes, with the *National Fuel Gas Codes ANSI Z223.1/NFPA 54 (U.S.)* or *CAN/CSA B149 Installation Codes (Canada)*.

Enclosures may be used to conceal propane/LP supply tanks and must be constructed to meet the following minimum construction requirements:

- An enclosure must have either one open side or at least four opposing vent openings, top and bottom, which meet minimum requirements for size and location (see Figure 12).
- Each opening must provide a minimum of 1/2 square inches (3,23 cm<sup>2</sup>) of open area for each pound propane/LP contained in enclosed supply tank.

*Example:* A full enclosure for a 20 pound propane/LP tank must have at least four, 10 square inches (65 cm<sup>2</sup>) openings [a 2" x 5" (5 x 13 cm) square].

- The top openings must be 180° opposing and be placed at valve level.

- The bottom openings must be 180° opposing and be placed 5" (12.7 cm) above bottom floor.
- There must be 2" (5 cm) minimum clearance from the floor to ground level of enclosure.

**CAUTION:** Use only new, black iron or steel pipe. Internally-tinned copper tubing may be used in certain areas. Check your local codes. Use pipe of 1/2" diameter or greater to allow proper gas volume to heater. If pipe is too small, undue loss of volume will occur.

Installation must include an equipment shutoff valve, union and plugged 1/8" NPT tap. Locate NPT tap within reach for test gauge hook up. NPT tap must be upstream from log set (see Figure 13, page 10).

**IMPORTANT:** Install equipment shutoff valve in an accessible location. The equipment shutoff valve is for turning on or shutting off the gas to the appliance.

Apply pipe joint sealant lightly to male NPT threads. This will prevent excess sealant from going into pipe. Excess sealant in pipe could result in clogged heater valves.

**WARNING:** Use pipe joint sealant that is resistant to liquid petroleum (LP) gas.

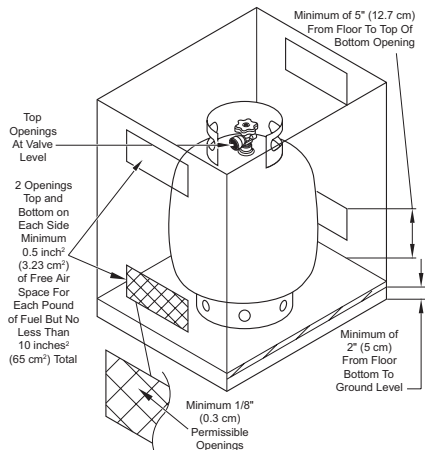


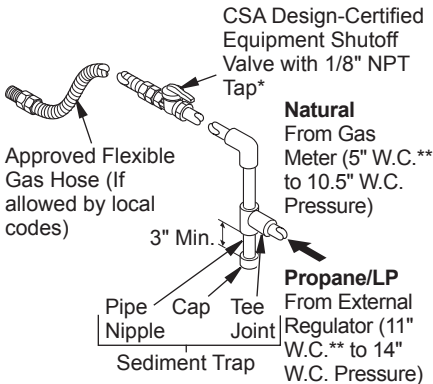
Figure 12 - Propane/LP Tank Enclosure

## INSTALLATION

### Continued

We recommend that you install a sediment trap in supply line as shown in Figure 13. Locate sediment trap where it is within reach for cleaning. Install in piping system between fuel supply and appliance. Locate sediment trap where trapped matter is not likely to freeze. A sediment trap traps moisture and contaminants. This keeps them from going into heater controls. If sediment trap is not installed or is installed wrong, heater may not run properly.

**CAUTION: Avoid damage to gas control. Hold gas control with wrench when connecting it to gas piping and/or fittings.**



**Figure 13 - Gas Connection**

\* Purchase the optional CSA design-certified shutoff valve from your dealer. See *Accessories*, page 19.

\*\* Minimum inlet pressure for purpose of input adjustment.

## CHECKING GAS CONNECTIONS

**WARNING: Test all gas piping and connections for leaks after installing or servicing. Correct all leaks at once.**

**WARNING: Never use an open flame to check for a leak. Apply a noncorrosive leak detection fluid to all joints. Bubbles forming show a leak. Correct all leaks at once.**

**CAUTION: Make sure external regulator has been installed between propane/LP supply and appliance. See guidelines under *Connecting to Gas Supply*, page 8.**

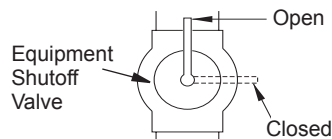
## PRESSURE TESTING GAS SUPPLY PIPING SYSTEM

### Test Pressures In Excess Of 1/2 PSIG (3.5 kPa)

1. Disconnect appliance with its appliance main gas valve (control valve) and equipment shutoff valve from gas supply piping system. Pressures in excess of 1/2 psig will damage control valve.
2. Cap off open end of gas pipe where equipment shutoff valve was connected.
3. Pressurize supply piping system by either opening propane/LP supply tank valve for propane/LP gas or opening main gas valve located on or near gas meter for natural gas or using compressed air.
4. Check all joints of gas supply piping system. Apply noncorrosive leak detection fluid to all joints. Bubbles forming show a leak.
5. Correct all leaks at once.
6. Reconnect heater and equipment shutoff valve to gas supply. Check reconnected fittings for leaks.

### Test Pressures Equal To or Less Than 1/2 PSIG (3.5 kPa)

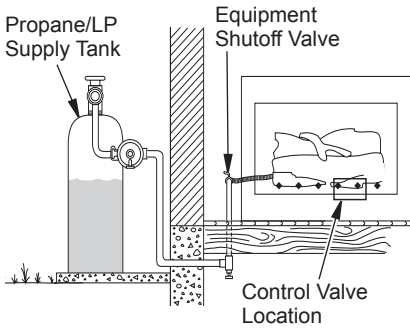
1. Close equipment shutoff valve (see Figure 14).
2. Pressurize supply piping system by either opening propane/LP supply tank valve for propane/LP gas or opening main gas valve located on or near gas meter for natural gas or using compressed air.
3. Check all joints from gas meter to equipment shutoff valve for natural gas or propane/LP supply to equipment shutoff valve for propane/LP (see Figure 15 or 16, page 11). Apply noncorrosive leak detection fluid to all joints. Bubbles forming show a leak.
4. Correct all leaks at once.



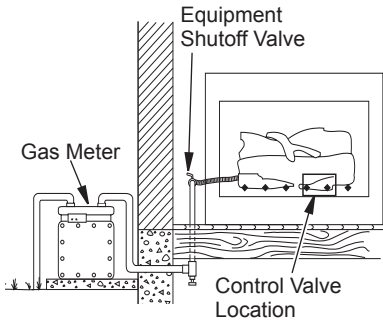
**Figure 14 - Equipment Shutoff Valve**

## INSTALLATION

*Continued*



**Figure 15 - Checking Gas Joints  
(Propane/LP Gas Only)**



**Figure 16 - Checking Gas Joints  
(Natural Gas Only)**

### Pressure Testing Appliance Gas Connections

1. Open equipment shutoff valve (see Figure 14, page 10).
2. Open main gas valve located on or near gas meter for natural gas or open propane/LP supply tank valve.
3. Make sure control knob of appliance is in the OFF position.
4. Check all joints from equipment shutoff valve to gas control (see Figure 15 or 16). Apply noncorrosive leak detection fluid to all joints. Bubbles forming show a leak.
5. Correct all leaks at once.
6. Light appliance (see *Operating Appliance*) Check all other internal joints for leaks.
7. Turn off appliance.

## PLACEMENT OF LOOSE EMBERS

**CAUTION:** Do not place any loose embers around pilot assembly.

Two bags of loose embers are provided with this unit. For this installation use the embers that are approximately 1" square in size. If needed, larger embers can be broken to size. These embers aid in concealing the burner pan, directing flames through the ember bed, quiet operation of the unit and gives a natural random flame pattern.

Place embers as follows:

1. Place embers around the center ember bed or ember pod.
2. Place individual embers on their edge (not flat) along the top of the burner pan. This aids in directing flames from the burner through the ember bed.

*Note:* Too many embers or embers placed flat along burner pan can suppress the flames.

3. When unit is lit, check flames for random appearance and ember bed glowing red-orange in color (see *Burner Flame Pattern*, page 13). If this is not happening, either add, remove or reposition loose embers. **IMPORTANT:** Turn unit off and let cool before repositioning loose embers.



**Figure 17 - Placement of Embers**

## OPERATING APPLIANCE

**FOR YOUR SAFETY  
READ BEFORE LIGHTING**

**⚠ WARNING: Keep flue open when operating unit.**

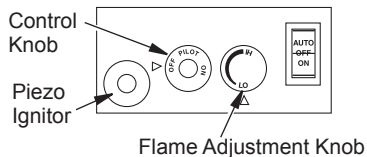
**⚠ WARNING: If you do not follow these instructions exactly, a fire or explosion may result causing property damage, personal injury or loss of life.**

- A. This appliance has a pilot which must be lighted with a piezo ignitor. When lighting the pilot, follow these instructions exactly.
- B. **BEFORE LIGHTING** smell all around the appliance area for gas. Be sure to smell next to the floor because some gas is heavier than air and will settle on the floor.
- WHAT TO DO IF YOU SMELL GAS**
- Do not try to light any appliance.
  - Do not touch any electric switch; do not use any phone in your building.
  - Immediately call your gas supplier from a neighbor's phone. Follow the gas supplier's instructions.
  - If you cannot reach your gas supplier, call the fire department.
- C. Use only your hand to push in or turn gas control knob. Never use tools. If the knob will not push in or turn by hand, do not try to repair it, call a qualified technician. Force or attempted repair may result in a fire.
- D. Do not use this appliance if any part has been under water. Immediately call a qualified service technician to inspect the appliance and to replace any part of the control system and any gas control which has been under water.

## LIGHTING INSTRUCTIONS

1. **STOP!** Read the safety information, above.
2. Make sure switch is in OFF position.
3. Be sure gas line shut-off valve is OPEN.

4. Press in and turn control knob clockwise to the OFF position (see Figure 18). *Note:* Knob cannot be turned from PILOT to OFF unless knob is pushed in slightly. **DO NOT FORCE.**
5. Wait five (5) minutes to clear out any gas. If you then smell gas, **STOP!** Follow "B" in the safety information in column 1. If you don't smell gas, go on the next step.
6. Press in and turn control knob counterclockwise to the PILOT position. Press in control knob for five (5) seconds (see Figure 18).
7. With control knob pressed in, press and release ignitor button. This will light pilot. If needed, keep pressing ignitor button until pilot lights.  
*Note:* If pilot does not stay lit, contact a qualified service person or gas supplier for repairs.
8. Keep control knob pressed in for 30 seconds after lighting pilot. After 30 seconds, release control knob.
  - If control knob does not pop out when released, turn off gas supply and contact a qualified service person or gas supplier for repairs.  
*Note:* If pilot goes out, repeat steps 4 through 8.
9. Slightly push in and turn control knob counterclockwise to the ON position.
10. Wait one minute and move switch to the ON position to light burner. *Note:* AUTO is only functional when using optional remote control accessory.
11. Set flame adjustment knob to any level between HI and LO.



**Figure 18 - Setting Control Knobs**

## TO TURN OFF GAS TO APPLIANCE

1. Push switch into OFF position. The pilot will remain lit for normal service.
2. Access control knobs.
3. Depress gas control knob slightly and turn clockwise to OFF. Do not force.
4. Close equipment shutoff valve (see Figure 14, page 10).

# OPERATING APPLIANCE

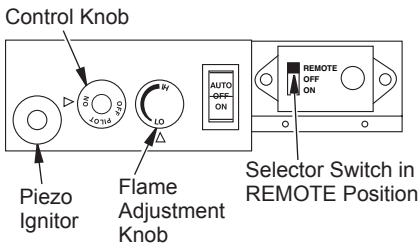
Continued

## HAND-HELD REMOTE OPERATION

**NOTICE:** You must light the pilot before using the hand-held remote control unit. See *Lighting Instructions*, page 12.

After lighting, let pilot flame burn for about one minute. Turn control knob to ON position. Adjust flame adjustment knob anywhere between HI and LO. Slide the selector switch to the REMOTE position (see Figure 19). **Note:** The burner may light if hand-held remote was on when selector switch was last turned off. You can now turn the burner on and off with the hand-held remote control unit.

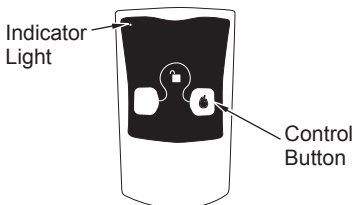
**IMPORTANT:** Do not leave the selector switch in the REMOTE or ON position when the pilot is not lit. This will drain the battery.



**Figure 19 - Setting the Selector Switch, Control Knob and Flame Adjustment Knob for Remote Operation**

### ON/OFF SERIES (MODEL HRC100)

Hold the control button on the hand-held remote until burner turns on. Hold the control button again until burner turns off (see Figure 20).



**Figure 20 - On/Off Hand-Held Remote Control Unit (HRC100)**

**To Lock** press both buttons on hand-held remote control until light stops flashing. Hand-held remote control is now locked. If the fire is on it will be turned off automatically. In the locked state, the light will not light up when any button is pressed.

**To Unlock** press both buttons together on hand-held remote control until the light stops flashing. The hand-held remote is now unlocked.

## INSPECTING BURNERS

Check pilot flame pattern and burner flame patterns often.

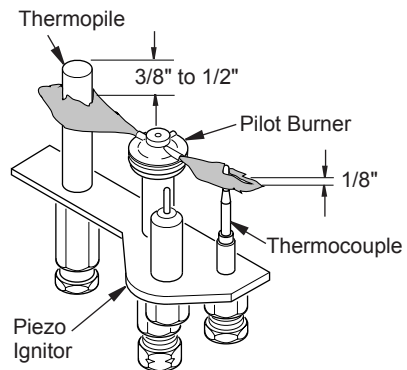
### PILOT ASSEMBLY

The pilot assembly is factory preset for the proper flame height. Alterations may have occurred during shipping and handling. Call a qualified service person to readjust the pilot if necessary.

The height of the thermopile must be  $3/8"$  to  $1/2"$  above the pilot flame as shown in Figure 21. The thermocouple must be at a height of about  $1/8"$  above the pilot flame. The flame from the pilot burner must extend beyond both the thermocouple and thermopile.

If your pilot assembly does not meet these requirements:

- turn fireplace off (see *To Turn Off Gas to Appliance*, page 12)
- see *Troubleshooting*, page 15



**Figure 21 - Pilot Assembly**

# INSPECTING BURNERS

*Continued*

## BURNER FLAME PATTERN

Figure 22 shows correct burner flame pattern.

**NOTICE: Do not mistake orange flames with yellow tipping. Dirt or other fine particles are burned by appliance, causing brief patches of orange flame.**

If burner flame pattern is incorrect, as shown in Figure 23.

- turn appliance off (see *To Turn Off Gas to Appliance*, page 12)
- see *Troubleshooting*, page 15

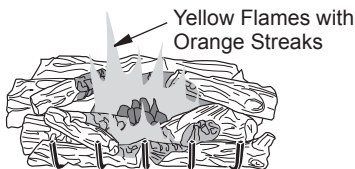


Figure 22 - Correct Burner Flame Pattern



Figure 23 - Incorrect Burner Flame Pattern

## CLEANING AND MAINTENANCE

**WARNING:** Turn off the appliance and allow to cool before cleaning.

**CAUTION:** You must keep control areas, burners and circulating air passageways of fireplace clean. Inspect these areas of fireplace before each use. Have fireplace and chimney (if applicable) inspected yearly by a qualified service person. Fireplace may need more frequent cleaning due to excessive lint from carpeting, bedding material, etc.

Only limited cleaning will be required under normal use of this appliance. Dust the front grate and top of receiver/valve. Do not use cleaning fluids to clean logs or any other part of the appliance.

If, after a period of use, the flames start to exhibit unusual shapes and behavior or the burner fails to ignite smoothly, then the burner holes may require some cleaning. If this happens, we recommend that you contact your nearest authorized service technician to get the appliance serviced.

- Keep area around log set clean and clear of debris.
- Periodically inspect the air mixer and burner tube for foreign matter blocking the air inlet and flame holes.

## SPECIFICATIONS

### (V)O36NR Series

- Rating (Variable): 33,000/49,000 Btu/Hr
- Gas Type: Natural
- Ignition: Piezo
- Manifold Pressure: 3.5" W.C.
- Inlet Gas Pressure (inches of water): Max. 10.5" W.C., Min. 5.0" W.C.\*

### (V)O36PR Series

- Rating (Variable): 32,000/41,000 Btu/Hr
- Gas Type: Propane/LP
- Ignition: Piezo
- Manifold Pressure: 10" W.C.
- Inlet Gas Pressure (inches of water): Max. 14" W.C., Min. 11" W.C.\*

### (V)O42NR Series

- Rating (Variable): 36,000/53,000 Btu/Hr
- Gas Type: Natural
- Ignition: Piezo
- Manifold Pressure: 3.5" W.C.
- Inlet Gas Pressure (inches of water): Max. 10.5" W.C., Min. 5.0" W.C.\*

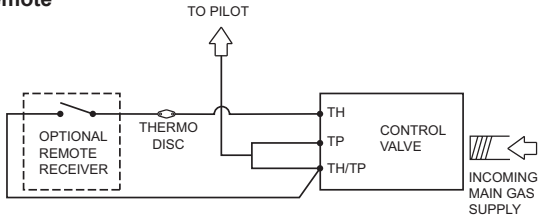
### (V)O42PR Series

- Rating (Variable): 35,000/45,000 Btu/Hr
- Gas Type: Propane/LP
- Ignition: Piezo
- Manifold Pressure: 10" W.C.
- Inlet Gas Pressure (inches of water): Max. 14" W.C., Min. 11" W.C.\*

\*For purpose of input adjustment

## WIRING DIAGRAM

### When Using Remote



## TROUBLESHOOTING

**⚠ WARNING:** Turn off heater and let cool before servicing. Only a qualified service person should service and repair heater.

**⚠ CAUTION:** Never use a wire, needle or similar object to clean pilot. This can damage pilot unit.

Note: All troubleshooting items are listed in order of operation.

OBSERVED PROBLEM	POSSIBLE CAUSE	REMEDY
When ignitor button is pressed, there is no spark at pilot	1. Ignitor electrode not connected to ignitor cable	1. Reconnect ignitor cable
	2. Ignitor cable pinched or wet	2. Free ignitor cable if pinched by any metal or tubing. Keep ignitor cable dry
	3. Piezo ignitor nut is loose	3. Tighten nut holding piezo ignitor. Nut is located behind the mounting bracket
	4. Broken ignitor cable	4. Replace ignitor cable
	5. Bad piezo ignitor	5. Replace piezo ignitor
	6. Ignitor electrode broken	6. Replace pilot assembly
	7. Ignitor electrode positioned wrong	7. Tighten electrode. Replace if necessary
When ignitor button is pressed, there is spark at pilot but no ignition	1. Gas supply turned off or equipment shutoff valve closed	1. Turn on gas supply or open equipment shutoff valve
	2. Gas control knob not in PILOT position	2. Turn gas control knob to PILOT position
	3. Gas control knob not pressed in while in PILOT position	3. Press in gas control knob while in PILOT position
	4. Air in gas lines when installed	4. Continue holding down control knob. Repeat igniting operation until air is removed
	5. Depleted gas supply (propane/LP models only)	5. Contact local propane/LP gas company
	6. Pilot is clogged	6. Clean pilot (see <i>Cleaning and Maintenance</i> , page 14) or replace pilot assembly
	7. Gas regulator setting is not correct	7. Replace gas regulator

---

## TROUBLESHOOTING

*Continued*

OBSERVED PROBLEM	POSSIBLE CAUSE	REMEDY
Pilot lights but flame goes out when control knob is released	<ol style="list-style-type: none"><li>1. Gas control knob not fully pressed in</li><li>2. Gas control knob not pressed in long enough</li><li>3. Equipment shutoff valve not fully open</li><li>4. Pilot flame not touching thermocouple, which allows thermocouple to cool, causing pilot flame to go out. This problem could be caused by one or both of the following: A) Low gas pressure B) Dirty or partially clogged pilot</li><li>5. Thermocouple connection loose at control valve</li><li>6. Thermocouple damaged</li><li>7. Control valve damaged</li></ol>	<ol style="list-style-type: none"><li>1. Press in gas control knob fully</li><li>2. After pilot lights, keep gas control knob pressed in 30 seconds</li><li>3. Fully open equipment shutoff valve</li><li>4. A) Contact local natural or propane/LP gas company B) Clean pilot (see <i>Cleaning and Maintenance</i>, page 14) or replace pilot assembly</li><li>5. Hand tighten until snug, then tighten 1/4 turn more</li><li>6. Replace pilot assembly</li><li>7. Replace control valve</li></ol>
Burner does not light after pilot is lit	<ol style="list-style-type: none"><li>1. Burner orifice clogged</li><li>2. Inlet gas pressure is too low</li><li>3. Thermopile leads disconnected or improperly connected</li><li>4. Thermopile is defective</li></ol>	<ol style="list-style-type: none"><li>1. Clean burner (see <i>Cleaning and Maintenance</i>, page 14) or replace burner orifice</li><li>2. Contact local propane/LP or natural gas company</li><li>3. Reconnect leads to TP &amp; TPTH terminals on control valve</li><li>4. Replace thermopile</li></ol>
Delayed ignition burner	<ol style="list-style-type: none"><li>1. Manifold pressure is too low</li><li>2. Burner porting or orifice clogged</li></ol>	<ol style="list-style-type: none"><li>1. Contact local propane/LP or natural gas company</li><li>2. Clean burner (see <i>Cleaning and Maintenance</i>, page 14) or replace burner orifice</li></ol>
Burner backfiring during combustion	<ol style="list-style-type: none"><li>1. Burner orifice is clogged or damaged</li><li>2. Damaged burner</li><li>3. Gas regulator defective</li></ol>	<ol style="list-style-type: none"><li>1. Clean burner (see <i>Cleaning and Maintenance</i>, page 14) or replace burner orifice</li><li>2. Replace damaged burner</li><li>3. Replace gas control</li></ol>
Slight smoke or odor during initial operation	<ol style="list-style-type: none"><li>1. Residues from manufacturing processes and logs curing</li></ol>	<ol style="list-style-type: none"><li>1. Problem will stop after a few hours of operation</li></ol>

---

## TROUBLESHOOTING

*Continued*

<b>OBSERVED PROBLEM</b>	<b>POSSIBLE CAUSE</b>	<b>REMEDY</b>
Heater produces a whistling noise when burner is lit	<ol style="list-style-type: none"><li>1. Turning gas control knob to HI position when burner is cold</li><li>2. Air in gas line</li><li>3. Dirty or partially clogged burner orifice</li></ol>	<ol style="list-style-type: none"><li>1. Turn gas control knob to LO position and let warm up for a minute</li><li>2. Operate burner until air is removed from line. Have gas line checked by local propane/LP or natural gas company</li><li>3. Clean burner (see <i>Cleaning and Maintenance</i>, page 14) or replace burner orifice</li></ol>
Fireplace produces a clicking/ticking noise just after burners are lit or shut off	<ol style="list-style-type: none"><li>1. Metal expanding while heating or contracting while cooling</li></ol>	<ol style="list-style-type: none"><li>1. This is normal. If noise is excessive, contact qualified service person</li></ol>
Remote does not function	<ol style="list-style-type: none"><li>1. Battery is not installed or battery power is low</li></ol>	<ol style="list-style-type: none"><li>1. Replace 9-volt batteries in receiver and hand-held remote control</li></ol>

# TROUBLESHOOTING

*Continued*



**WARNING:** If you smell gas

- Shut off gas supply.
- Do not try to light any appliance.
- Do not touch any electrical switch; do not use any phone in your building.
- Immediately call your gas supplier from a neighbor's phone. Follow the gas supplier's instructions.
- If you cannot reach your gas supplier, call the fire department.

OBSERVED PROBLEM	POSSIBLE CAUSE	REMEDY
Fireplace produces unwanted odors	1. Gas leak. <b>See Warning statement above</b>	1. Locate and correct all leaks (see <i>Checking Gas Connections</i> , page 10)
Fireplace shuts off in use	1. High or gusting winds 2. Low line pressure 3. Pilot is partially clogged 4. Inner vent pipe leaking exhaust gasses into system 5. Glass too loose and air tight gasket leaks in corners after usage 6. Bad thermopile or thermocouple 7. Improper vent cap installation	1. Fireplace has been tested for up to 40 mph winds. However, extreme conditions may occur. See <i>Lighting Instructions</i> on page 27 2. Contact local propane/LP or natural gas company 3. Clean pilot (see <i>Cleaning and Maintenance</i> , page 14) 4. Locate and correct all leaks (see <i>Checking Gas Connections</i> , page 10) 5. Tighten glass 6. Replace faulty component 7. Check for proper installation and freedom from debris or blockage
Gas odor even when control knob is in OFF position	1. Gas leak. <b>See Warning statement above</b> 2. Control valve defective	1. Locate and correct all leaks (see <i>Checking Gas Connections</i> , page 10) 2. Replace control valve
Gas odor during combustion	1. Gas leak. <b>See Warning statement above</b>	1. Locate and correct all leaks (see <i>Checking Gas Connections</i> , page 10)
Dark residue on logs or inside of fireplace	1. Air holes at burner inlet blocked 2. Burner flame holes blocked 3. Improper venting or excessive blockage 4. Excessive amounts of embers and pan material	1. Clean out air holes at burner inlets. Periodically repeat as needed 2. Remove blockage or replace burner 3. Have the vent system inspected, including the termination cap. Remove any restrictions or obstruction 4. Clear excess embers until a minimum gap of 1/2" remains under the grate

## REPLACEMENT PARTS

*Note:* Use only original replacement parts. This will protect your warranty coverage for parts replaced under warranty.

### PARTS UNDER WARRANTY

Contact authorized dealers of this product. If they can't supply original replacement part(s), call DESA Heating Products' Technical Service Department at 1-866-672-6040. When calling DESA Heating Products, have ready

- your name and address
- model and serial numbers of your log set
- how log set was malfunctioning
- type of gas used (propane/LP or natural gas)
- purchase date

### PARTS NOT UNDER WARRANTY

Contact authorized dealers of this product. If they can't supply original replacement part(s), call DESA Heating Products at 1-866-672-6040 for referral information.

When calling DESA Heating Products, have ready

- model number of your log set
- the replacement part number

## SERVICE HINTS

### When Gas Pressure is Too Low

- pilot will not stay lit
- burners will have delayed ignition
- propane/LP gas supply may be low

You may feel your gas pressure is too low. If so, contact your local propane/LP or natural gas supplier.

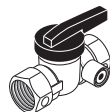
## TECHNICAL SERVICE

You may have further questions about installation, operation or troubleshooting. If so, contact DESA Heating Products' Technical Service Department at 1-866-672-6040. When calling please have your model and serial numbers of your heater ready.

You can also visit DESA Heating Products' technical services web site at [www.desatech.com](http://www.desatech.com).

## ACCESSORIES

Purchase these appliances from your local dealer. If they can not supply these accessories, call DESA Heating Products at 1-866-672-6040 for referral information. You can also write to the address listed on the back page of this manual.



### EQUIPMENT SHUTOFF VALVE

#### GA5010

Equipment shutoff valve with 1/8" NPT tap. Fits 1/2" pipe.

### FIREPLACE HOOD

#### HS36 (36" MODELS)

#### HS42 (42" MODELS)

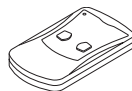
Helps deflect heat away from mantel or wall above fireplace.

### DRAIN PAN

#### DP36 (36" MODELS)

#### DP42 (42" MODELS)

A sealed, corrosion resistant catch pan with provisions for draining to be installed under fireplace within fireplace enclosure.



### RECEIVER AND HAND-HELD REMOTE CONTROL KIT - HRC100

Allows the log set to be turned on and off by using a hand-held remote control. A wall-mount docking station is included.

### CLEANING KIT - CCK

Your gas appliance requires regular cleaning and maintenance to prevent performance problems. This kit gives you the tools and instructions to make it easy to clean all critical areas of your appliance.

### GLASS BI-FOLD DOOR MODELS

#### BDO36 - 36" Black

#### BDO36B - 36" Brushed Brass

#### BDO36P - 36" Platinum

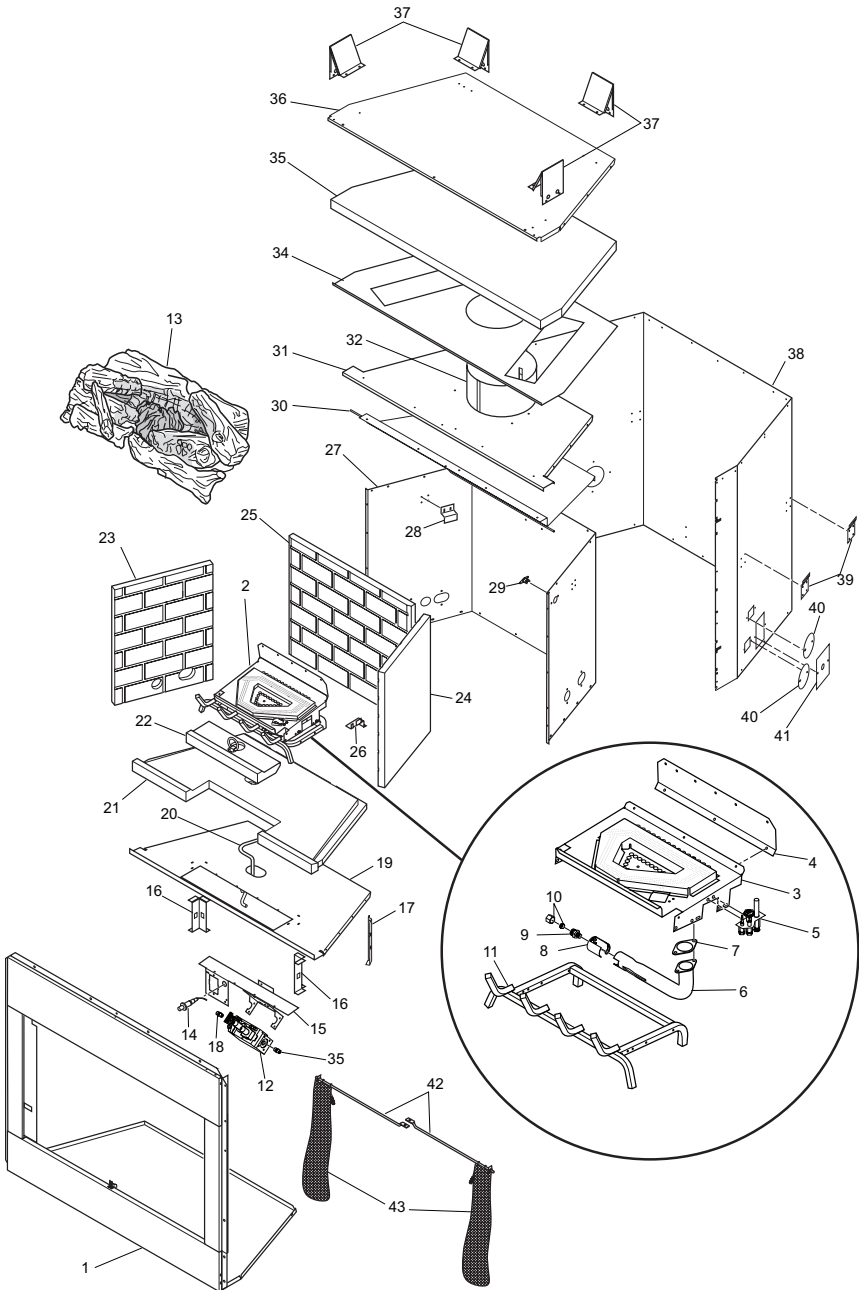
#### BDO42 - 42" Black

#### BDO42B - 42" Brushed Brass

#### BDO42P - 42" Platinum

# ILLUSTRATED PARTS BREAKDOWN

MODELS VO36NR, VO36PR, VO36NRR, VO36PRR, VO36NRH, VO36PRH, VO36NRRH, VO36PRRH, O36NR, O36PR, O36NRH, O36PRH, O36NRR, O36PRR, O36NRRH AND O36PRRH



## PARTS LIST

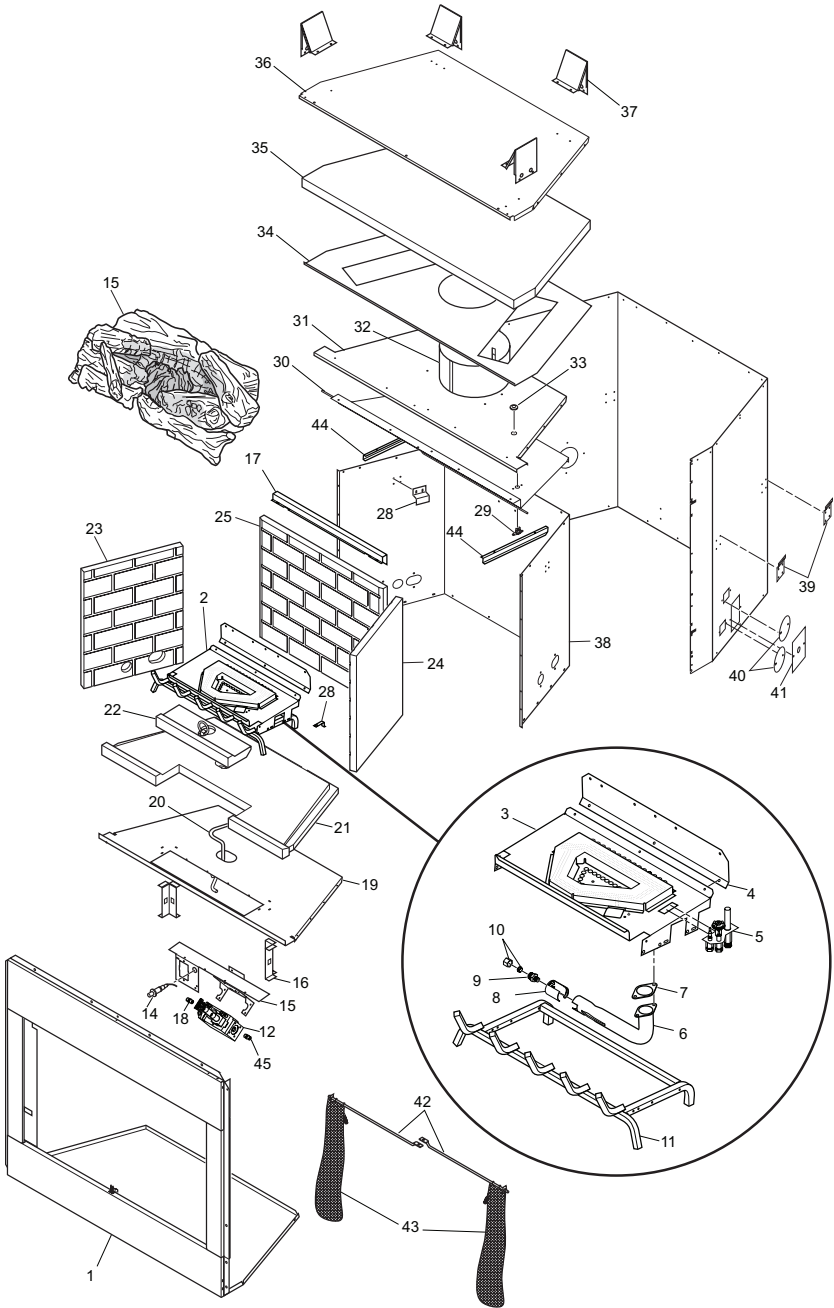
This list contains replaceable parts used in your fireplace. When ordering parts, follow the instructions listed under *Replacement Parts* on page 19 of this manual.

KEY NO.	PART NO.	DESCRIPTION	VO36NR	VO36PR	VO36NRR	VO36PRR	VO36NRH	VO36PRH	VO36NRRH	VO36PRRH	O36NR	O36PR	O36NRH	O36PRH	O36NRR	O36PRR	O36NRRH	O36PRRH	QTY.
1	**	Face Assembly	•	•	•	•	•	•	•	•	•	•	•	•	•	•	•	•	1
2	**	Chassis Assembly	•	•	•	•	•	•	•	•	•	•	•	•	•	•	•	•	1
3	**	Burner Weldment	•	•	•	•	•	•	•	•	•	•	•	•	•	•	•	•	1
4	**	Rear Log Plate	•	•	•	•	•	•	•	•	•	•	•	•	•	•	•	•	1
5	108084-02	Pilot Assembly (Natural)	•	•	•	•	•	•	•	•	•	•	•	•	•	•	•	•	1
	108084-03	Pilot Assembly (Propane/LP)	•	•	•	•	•	•	•	•	•	•	•	•	•	•	•	•	1
6	114936-02	1 1/4" Elbow Venturi	•	•	•	•	•	•	•	•	•	•	•	•	•	•	•	•	1
7	112370-01	Venturi Gasket	•	•	•	•	•	•	•	•	•	•	•	•	•	•	•	•	1
8	116559-01	Air Shutter	•	•	•	•	•	•	•	•	•	•	•	•	•	•	•	•	1
9	114365-11	Brass Orifice NG	•	•	•	•	•	•	•	•	•	•	•	•	•	•	•	•	1
	114365-12	Brass Orifice LP	•	•	•	•	•	•	•	•	•	•	•	•	•	•	•	•	1
10	111824-01	3/8" Compression Nut/Sleeve	•	•	•	•	•	•	•	•	•	•	•	•	•	•	•	•	1
11	**	Front Weldment Grate	•	•	•	•	•	•	•	•	•	•	•	•	•	•	•	•	1
12	14389	Gas Valve (Natural)	•	•	•	•	•	•	•	•	•	•	•	•	•	•	•	•	1
	14390	Gas Valve (Propane/LP)	•	•	•	•	•	•	•	•	•	•	•	•	•	•	•	•	1
13	117427-02	Log Set	•	•	•	•	•	•	•	•	•	•	•	•	•	•	•	•	1
14	097159-04	Piezo Ignitor	•	•	•	•	•	•	•	•	•	•	•	•	•	•	•	•	1
15	107741-03	Valve Bracket	•	•	•	•	•	•	•	•	•	•	•	•	•	•	•	•	1
16	106683-01	Firebox Support Leg	•	•	•	•	•	•	•	•	•	•	•	•	•	•	•	•	2
17	21194	Firebox Support Right Leg	•	•	•	•	•	•	•	•	•	•	•	•	•	•	•	•	1
	21195	Firebox Support Left Leg	•	•	•	•	•	•	•	•	•	•	•	•	•	•	•	•	1
18	14396	3/8 x 3/8 Brass Adapter	•	•	•	•	•	•	•	•	•	•	•	•	•	•	•	•	1
19	**	Firebox Bottom	•	•	•	•	•	•	•	•	•	•	•	•	•	•	•	•	1
20	111817-08	Dormont T6-18 3.8 x 18" Flextube	•	•	•	•	•	•	•	•	•	•	•	•	•	•	•	•	1
21	119708-01	Refractory, Bottom (White)	•	•	•	•	•	•	•	•	•	•	•	•	•	•	•	•	1
	119708-02	Refractory, Bottom (Red)	•	•	•	•	•	•	•	•	•	•	•	•	•	•	•	•	1
22	119467-01	Refractory, Bottom Center (White)	•	•	•	•	•	•	•	•	•	•	•	•	•	•	•	•	1
	119467-02	Refractory, Bottom Center (Red)	•	•	•	•	•	•	•	•	•	•	•	•	•	•	•	•	1
23	106658-01	Refractory, Left (White)	•	•	•	•	•	•	•	•	•	•	•	•	•	•	•	•	1
	106658-02	Refractory, Left (Red)	•	•	•	•	•	•	•	•	•	•	•	•	•	•	•	•	1
	108164-01	Refractory, Left (White Herr)	•	•	•	•	•	•	•	•	•	•	•	•	•	•	•	•	1
	108164-02	Refractory, Left (Red Herr)	•	•	•	•	•	•	•	•	•	•	•	•	•	•	•	•	1
24	106659-01	Refractory, Right (White)	•	•	•	•	•	•	•	•	•	•	•	•	•	•	•	•	1
	106659-02	Refractory, Right (Red)	•	•	•	•	•	•	•	•	•	•	•	•	•	•	•	•	1
	108165-01	Refractory, Right (White Herr)	•	•	•	•	•	•	•	•	•	•	•	•	•	•	•	•	1
	108165-02	Refractory, Right (Red Herr)	•	•	•	•	•	•	•	•	•	•	•	•	•	•	•	•	1
25	106660-01	Refractory, Rear (White)	•	•	•	•	•	•	•	•	•	•	•	•	•	•	•	•	1
	106660-02	Refractory, Rear (Red)	•	•	•	•	•	•	•	•	•	•	•	•	•	•	•	•	1
	108166-01	Refractory, Rear (White Herr)	•	•	•	•	•	•	•	•	•	•	•	•	•	•	•	•	1
	108166-02	Refractory, Rear (Red Herr)	•	•	•	•	•	•	•	•	•	•	•	•	•	•	•	•	1
26	119686-01	Log Set Retainer	•	•	•	•	•	•	•	•	•	•	•	•	•	•	•	•	2
27	**	Firebox Surround	•	•	•	•	•	•	•	•	•	•	•	•	•	•	•	•	1
28	20027	Firebrick Retainer	•	•	•	•	•	•	•	•	•	•	•	•	•	•	•	•	2
29	119702-01	High Limit Switch	•	•	•	•	•	•	•	•	•	•	•	•	•	•	•	•	1
30	**	Firebox Top Shield	•	•	•	•	•	•	•	•	•	•	•	•	•	•	•	•	1
31	**	Firebox Top	•	•	•	•	•	•	•	•	•	•	•	•	•	•	•	•	1
32	**	Damper Can Collar	•	•	•	•	•	•	•	•	•	•	•	•	•	•	•	•	1
33	**	Fitting, 1/2" FLR x 3/8" MPT	•	•	•	•	•	•	•	•	•	•	•	•	•	•	•	•	1
34	**	Insulation Pan	•	•	•	•	•	•	•	•	•	•	•	•	•	•	•	•	1
35	**	Fireplace Top Insulation	•	•	•	•	•	•	•	•	•	•	•	•	•	•	•	•	1
36	107940-01	Fireplace Top	•	•	•	•	•	•	•	•	•	•	•	•	•	•	•	•	1
37	20280	Top Spacer	•	•	•	•	•	•	•	•	•	•	•	•	•	•	•	•	4
38	106641-01	Fireplace Surround	•	•	•	•	•	•	•	•	•	•	•	•	•	•	•	•	1
39	117891-01	Handle Bracket	•	•	•	•	•	•	•	•	•	•	•	•	•	•	•	•	4
40	21171	Gas Conduit Cover	•	•	•	•	•	•	•	•	•	•	•	•	•	•	•	•	4
41	20042	Cover Outside Air Plate	•	•	•	•	•	•	•	•	•	•	•	•	•	•	•	•	1
42	106691-01	Screen Rod	•	•	•	•	•	•	•	•	•	•	•	•	•	•	•	•	2
43	110890-01	Stainless Screen	•	•	•	•	•	•	•	•	•	•	•	•	•	•	•	•	2
<b>PARTS AVAILABLE — NOT SHOWN</b>																			
	108005-05	Wire Harness	•	•	•	•	•	•	•	•	•	•	•	•	•	•	•	•	1
	14253	Flex Gas Line	•	•	•	•	•	•	•	•	•	•	•	•	•	•	•	•	1
	BD036	36" Bi-Fold Black Glass Doors	•	•	•	•	•	•	•	•	•	•	•	•	•	•	•	•	1
	112799-01	Ember Flakes Kit	•	•	•	•	•	•	•	•	•	•	•	•	•	•	•	•	2

\*\* Not a field replaceable part.

# ILLUSTRATED PARTS BREAKDOWN

MODELS VO42NR, VO42PR, VO42NRR, VO42PRR, VO42NRH, VO42PRH, VO42NRRH, VO42PRRH, O42NR, O42PR, O42NRH, O42PRH, O42NRR, O42PRR, O42NRRH AND O42PRRH



## PARTS LIST

This list contains replaceable parts used in your firebox. When ordering parts, follow the instructions listed under *Replacement Parts* on page 19 of this manual.

KEY NO.	PART NO.	DESCRIPTION	VO42NR	VO42PR	VO42NFR	VO42PRR	VO42NRH	VO42PRH	VO42NRRH	O42NR	O42PR	O42NRH	O42PRH	O42NRR	O42PRR	O42NRRH	O42PRRH	QTY.
1	**	Face Assembly	•	•	•	•	•	•	•	•	•	•	•	•	•	•	•	1
2	**	Chassis Assembly	•	•	•	•	•	•	•	•	•	•	•	•	•	•	•	1
3	**	Burner Weldment	•	•	•	•	•	•	•	•	•	•	•	•	•	•	•	1
4	**	Rear Log Plate	•	•	•	•	•	•	•	•	•	•	•	•	•	•	•	1
5	108084-02	Pilot Assembly (Natural)	•	•	•	•	•	•	•	•	•	•	•	•	•	•	•	1
	108084-03	Pilot Assembly (Propane/LP)	•	•	•	•	•	•	•	•	•	•	•	•	•	•	•	1
6	114936-01	1 1/4" Elbow Venturi	•	•	•	•	•	•	•	•	•	•	•	•	•	•	•	1
7	112370-01	Venturi Gasket	•	•	•	•	•	•	•	•	•	•	•	•	•	•	•	1
8	116559-01	Air Shutter	•	•	•	•	•	•	•	•	•	•	•	•	•	•	•	1
9	114365-10	Brass Orifice LP	•	•	•	•	•	•	•	•	•	•	•	•	•	•	•	1
	114365-09	Brass Orifice NG	•	•	•	•	•	•	•	•	•	•	•	•	•	•	•	1
10	111824-01	3/8" Compression Nut/Sleeve	•	•	•	•	•	•	•	•	•	•	•	•	•	•	•	1
11	**	Front Weldment Grate	•	•	•	•	•	•	•	•	•	•	•	•	•	•	•	1
12	14389	Gas Valve (Natural)	•	•	•	•	•	•	•	•	•	•	•	•	•	•	•	1
	14390	Gas Valve (Propane/LP)	•	•	•	•	•	•	•	•	•	•	•	•	•	•	•	1
13	117427-01	Log Set	•	•	•	•	•	•	•	•	•	•	•	•	•	•	•	1
14	097159-04	Piezo Ignitor	•	•	•	•	•	•	•	•	•	•	•	•	•	•	•	1
15	107741-03	Valve Bracket	•	•	•	•	•	•	•	•	•	•	•	•	•	•	•	1
16	106683-01	Firebox Support Leg	•	•	•	•	•	•	•	•	•	•	•	•	•	•	•	2
17	118318-01	Screen Pocket Upper Panel	•	•	•	•	•	•	•	•	•	•	•	•	•	•	•	1
18	14396	3/8 x 3/8 Brass Adapter	•	•	•	•	•	•	•	•	•	•	•	•	•	•	•	1
19	**	Firebox Bottom	•	•	•	•	•	•	•	•	•	•	•	•	•	•	•	1
20	111817-08	Dormont T6-18 3.8 x 18" Flextube	•	•	•	•	•	•	•	•	•	•	•	•	•	•	•	1
21	119465-01	Refractory, Bottom (White)	•	•	•	•	•	•	•	•	•	•	•	•	•	•	•	1
	119465-02	Refractory, Bottom (Red)	•	•	•	•	•	•	•	•	•	•	•	•	•	•	•	1
22	119467-01	Refractory, Bottom Center (White)	•	•	•	•	•	•	•	•	•	•	•	•	•	•	•	1
	119467-02	Refractory, Bottom Center (Red)	•	•	•	•	•	•	•	•	•	•	•	•	•	•	•	1
23	107812-01	Refractory, Left (White)	•	•	•	•	•	•	•	•	•	•	•	•	•	•	•	1
	107812-02	Refractory, Left (Red)	•	•	•	•	•	•	•	•	•	•	•	•	•	•	•	1
	108169-01	Refractory, Left (White Herr)	•	•	•	•	•	•	•	•	•	•	•	•	•	•	•	1
	108169-02	Refractory, Left (Red Herr)	•	•	•	•	•	•	•	•	•	•	•	•	•	•	•	1
24	107814-01	Refractory, Right (White)	•	•	•	•	•	•	•	•	•	•	•	•	•	•	•	1
	107814-02	Refractory, Right (Red)	•	•	•	•	•	•	•	•	•	•	•	•	•	•	•	1
	108170-01	Refractory, Right (White Herr)	•	•	•	•	•	•	•	•	•	•	•	•	•	•	•	1
	108170-02	Refractory, Right (Red Herr)	•	•	•	•	•	•	•	•	•	•	•	•	•	•	•	1
25	107816-01	Refractory, Rear (White)	•	•	•	•	•	•	•	•	•	•	•	•	•	•	•	1
	107816-02	Refractory, Rear (Red)	•	•	•	•	•	•	•	•	•	•	•	•	•	•	•	1
	108171-01	Refractory, Right (White Herr)	•	•	•	•	•	•	•	•	•	•	•	•	•	•	•	1
	108171-02	Refractory, Right (Red Herr)	•	•	•	•	•	•	•	•	•	•	•	•	•	•	•	1
26	119686-02	Log Set Retainer	•	•	•	•	•	•	•	•	•	•	•	•	•	•	•	2
27	**	Firebox Surround	•	•	•	•	•	•	•	•	•	•	•	•	•	•	•	1
28	20027	Firebrick Retainer	•	•	•	•	•	•	•	•	•	•	•	•	•	•	•	2
29	119702-01	High Limit Switch	•	•	•	•	•	•	•	•	•	•	•	•	•	•	•	1
30	**	Firebox Top Shield	•	•	•	•	•	•	•	•	•	•	•	•	•	•	•	1
31	**	Firebox Top	•	•	•	•	•	•	•	•	•	•	•	•	•	•	•	1
32	**	Damper Can Collar	•	•	•	•	•	•	•	•	•	•	•	•	•	•	•	1
33	**	Grommet	•	•	•	•	•	•	•	•	•	•	•	•	•	•	•	1
34	**	Insulation Pan	•	•	•	•	•	•	•	•	•	•	•	•	•	•	•	1
35	**	Fireplace Top Insulation	•	•	•	•	•	•	•	•	•	•	•	•	•	•	•	1
36	107975-01	Fireplace Top	•	•	•	•	•	•	•	•	•	•	•	•	•	•	•	1
37	20280	Top Spacer	•	•	•	•	•	•	•	•	•	•	•	•	•	•	•	4
38	107800-01	Fireplace Surround	•	•	•	•	•	•	•	•	•	•	•	•	•	•	•	1
39	117891-01	Handle Bracket	•	•	•	•	•	•	•	•	•	•	•	•	•	•	•	4
40	21171	Gas Conduit Cover	•	•	•	•	•	•	•	•	•	•	•	•	•	•	•	4
41	20042	Cover Outside Air Plate	•	•	•	•	•	•	•	•	•	•	•	•	•	•	•	1
42	107839-01	Screen Rod	•	•	•	•	•	•	•	•	•	•	•	•	•	•	•	2
43	110891-01	Stainless Screen	•	•	•	•	•	•	•	•	•	•	•	•	•	•	•	2
44	118617-01	Combustion Product Guide	•	•	•	•	•	•	•	•	•	•	•	•	•	•	•	2
45	116786-01	Fitting, 1/2" FLR x 3/8" MPT	•	•	•	•	•	•	•	•	•	•	•	•	•	•	•	1
<b>PARTS AVAILABLE — NOT SHOWN</b>																		
	108005-04	Wire Harness	•	•	•	•	•	•	•	•	•	•	•	•	•	•	•	1
	14253	Flex Gas Line	•	•	•	•	•	•	•	•	•	•	•	•	•	•	•	1
	BD042	42" Bi-Fold Black Glass Doors	•	•	•	•	•	•	•	•	•	•	•	•	•	•	•	1
	112799-01	Ember Flakes Kit	•	•	•	•	•	•	•	•	•	•	•	•	•	•	•	2

\*\* Not a field replaceable part.

# WARRANTY INFORMATION

## KEEP THIS WARRANTY

Model \_\_\_\_\_

Serial No. \_\_\_\_\_

Date Purchased \_\_\_\_\_

Always specify model and serial numbers when communicating with the factory.

The only warranty applicable is our standard written warranty. We make no other warranty, expressed or implied.

### LIMITED WARRANTY VENT-FREE OUTDOOR FIREPLACE

DESA Heating, LLC warrants this product to be free from defects in materials and components for two (2) years from the date of first purchase, provided that the product has been properly installed, operated and maintained in accordance with all applicable instructions. To make a claim under this warranty the Bill of Sale or cancelled check must be presented.

This warranty is extended only to the original retail purchaser. This warranty covers the cost of part(s) required to restore this heater to proper operating condition and an allowance for labor when provided by a DESA Heating, LLC Authorized Service Center. Warranty part(s) MUST be obtained through authorized dealers of this product and/or DESA Heating, LLC who will provide original factory replacement parts. Failure to use original factory replacement parts voids this warranty. The heater MUST be installed by a qualified installer in accordance with all local codes and instructions furnished with the unit.

This warranty does not apply to parts that are not in original condition because of normal wear and tear or parts that fail or become damaged as a result of misuse, accidents, lack of proper maintenance or defects caused by improper installation. As with all concrete liners, this liner may develop slight cracks when exposed to heat. This cracking is considered normal. Travel, diagnostic cost, labor, transportation and any and all such other costs related to repairing a defective heater will be the responsibility of the owner.

TO THE FULL EXTENT ALLOWED BY THE LAW OF THE JURISDICTION THAT GOVERNS THE SALE OF THE PRODUCT; THIS EXPRESS WARRANTY EXCLUDES ANY AND ALL OTHER EXPRESSED WARRANTIES AND LIMITS THE DURATION OF ANY AND ALL IMPLIED WARRANTIES, INCLUDING WARRANTIES OF MERCHANTABILITY AND FITNESS FOR A PARTICULAR PURPOSE TO TWO (2) YEARS ON ALL COMPONENTS FROM THE DATE OF FIRST PURCHASE; AND DESA HEATING, LLC'S LIABILITY IS HEREBY LIMITED TO THE PURCHASE PRICE OF THE PRODUCT AND DESA HEATING, LLC SHALL NOT BE LIABLE FOR ANY OTHER DAMAGES WHATSOEVER INCLUDING INDIRECT, INCIDENTAL OR CONSEQUENTIAL DAMAGES.

Some states do not allow a limitation on how long an implied warranty lasts or an exclusion or limitation of incidental or consequential damages, so the above limitation on implied warranties or exclusion or limitation on damages may not apply to you.

This warranty gives you specific legal rights and you may also have other rights that vary from state to state.

For information about this warranty write:



DESA Heating, LLC  
2701 Industrial Drive  
P.O. Box 90004  
Bowling Green, KY 42102-9004  
[www.desatech.com](http://www.desatech.com)



119109 01

NOT A UPC

119109-01  
Rev. D  
03/07